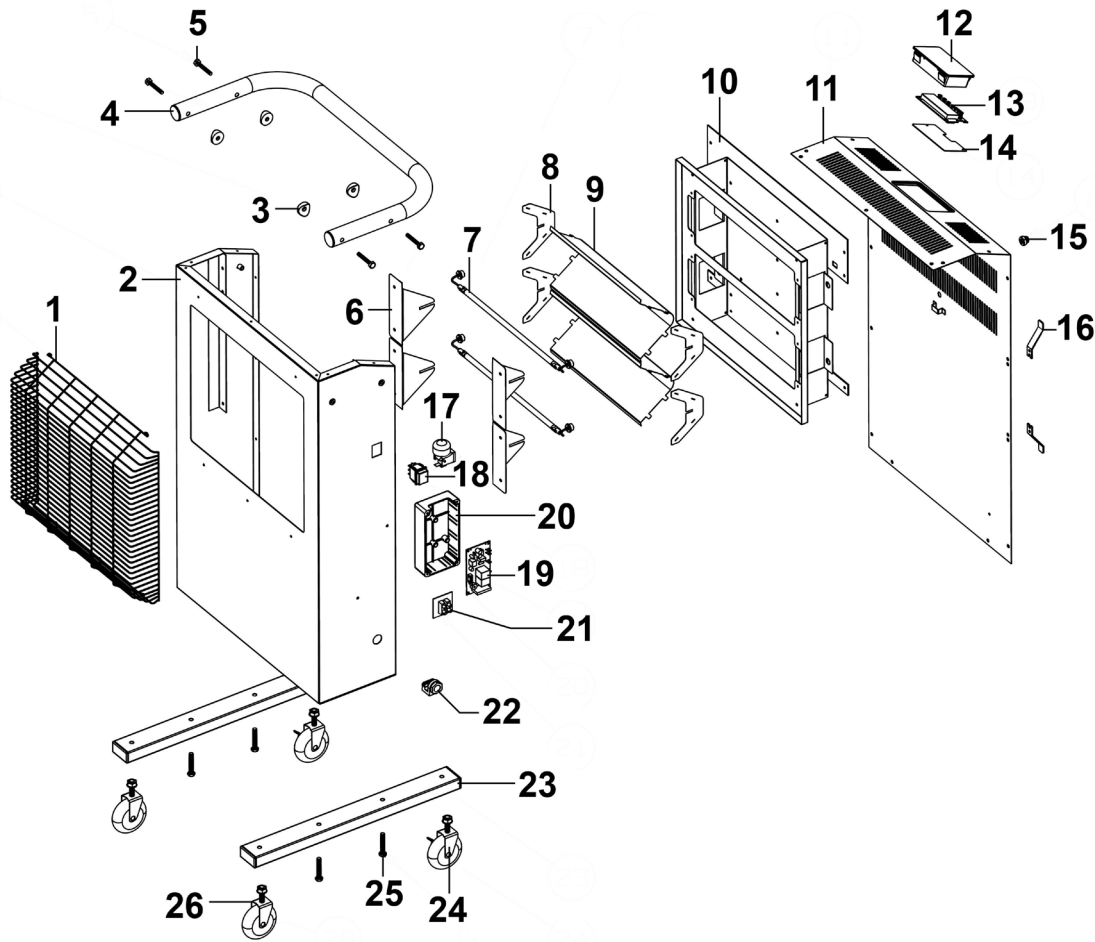


Parts Information:
Infrared Cabinet Heater 1.4/2.8kW 230V
Infrared Cabinet Heater 1.2/2.4kW 110V
Model No: IR14.V2 & IR14110V



Item	Part No.	Description	Qty
1	IR14.01	Front Guard	1
2	IR14.02	Main Body	1
3	IR14.03	Plastic Curved Washer	4
4	IR14.04	Handle Frame	1
5	MSP620.S	Machine Screw Pan Head Phillips M6 x 20mm	4
6	IR14.06	Infrared Lamp Holder	4
7	IR14.07	Ruby Halogen Infrared Elements 230V (IR14.V2 ONLY)	2
7	IR15110V.09	Ruby Halogen Infrared Elements 110V (IR14110V ONLY)	2
8	IR14.08	Side Plate for Reflector	4
9	IR14.09	Reflector	2
10	IR14.10	Reflector Plate Base	1
11	IR14.11	Back Cover	1
12	IR15.17	PCB Cover (for Upper Unit)	1
13	IR15-V2-16	PCB (for Upper Unit)	1

Item	Part No.	Description	Qty
14	IR14.14	PCB Base Support	1
15	IR14.15	Thermocouple Grip	1
16	IR14.16	Cable Hook	2
17	IR15.07	Tilt Switch	1
18	IR15.03	On/Off Switch	1
19	IR15.23	PCB (for Lower Unit)	1
20	IR14.20	PCB Cover (for Lower Unit)	1
21	IR14.21	Terminal	1
22	IR14.22	Cable Grip	1
23	IR14.23	Support Frame	2
24	IR15.27	Wheel, Swivel Castor, Single Bolt (w/ Brake) (D: 63 W: 30 B: 8 H: 120)	2
25	SS845.S	Hex Head Set Screw M8 X 45 Zinc	4
26	IR15.28	Wheel, Swivel Castor, Single Bolt (D: 63 W: 30 B: 8 H: 120)	2

NOTE: It is our policy to continually improve products and as such we reserve the right to alter data, specifications and component parts without prior notice. There may be alternative versions of this product, please contact us should you require this information.

IMPORTANT: No liability is accepted for incorrect use of product. Spare parts must be fitted by a competent person

WARRANTY: Guarantee is 12 months from purchase date, proof of which will be required for any claim.